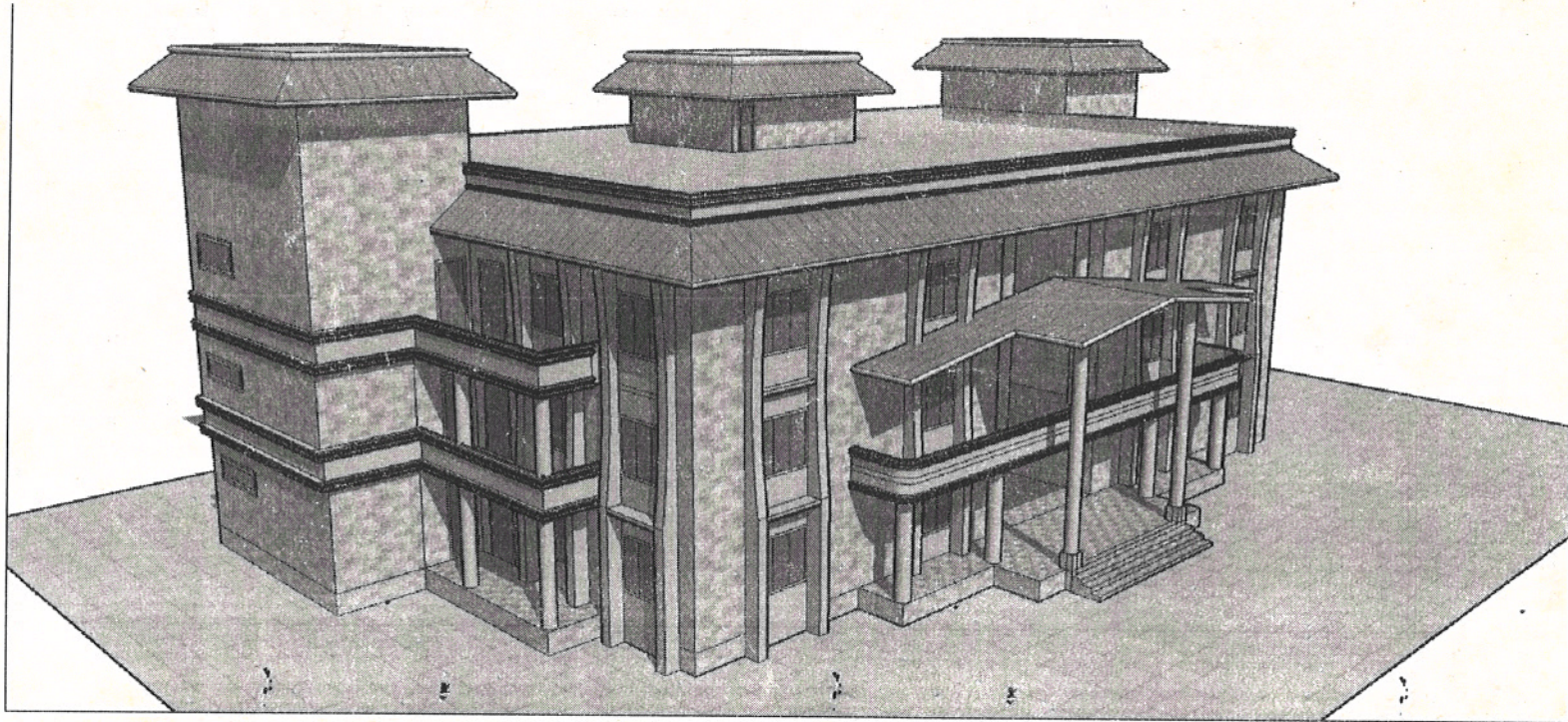


ARCHITECTURAL DRAWING PORTFOLIO OF JANAPRAKASH MULTIPLE CAMPUS

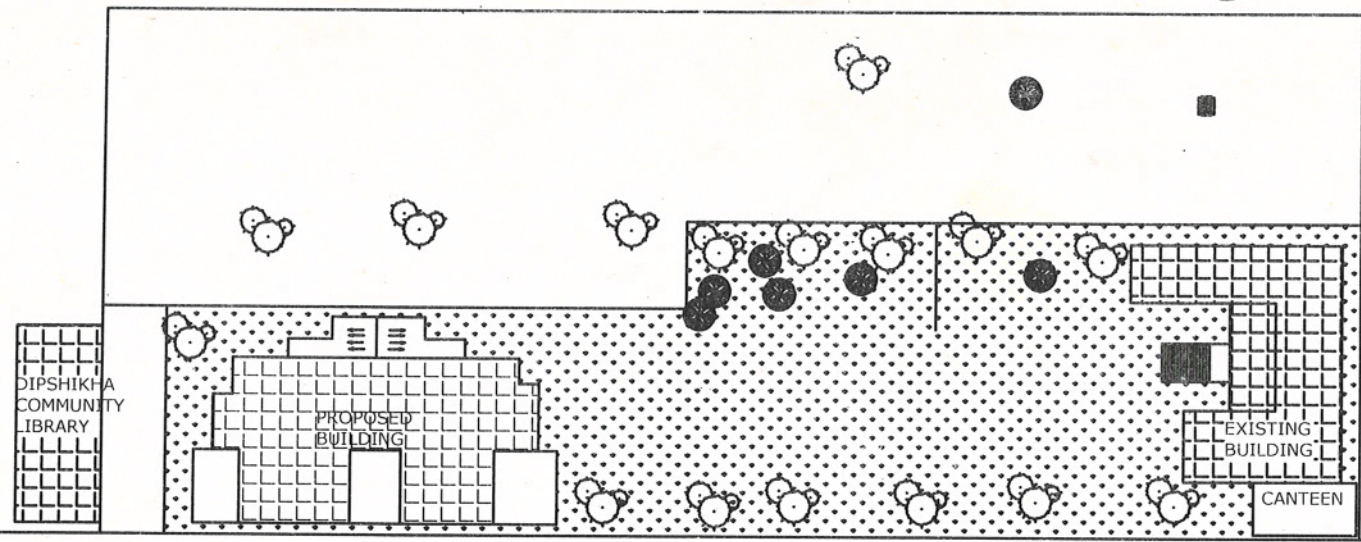


CONSULTANT
FD NEPAL P.LTD
LEKHNATH-4, KASKI
PH.061-551735



hard copy

PRITHIVI HIGHWAY



BHANDARIK CHOWK

PROPOSED STADIUM
SITE PLAN

OWNER: JANAPRAKASH MULTIPLE CAMPUS
LEKHNATH-7 BHANDARIK, KASKI

OWNER'S SIGNATURE:

NOTES & REMARKS

FD NEPAL P.LTD:
LEKHNATH-4, KASKI

SHEET TITLE: SITE PLAN

CAD BY: B. BHANDARI

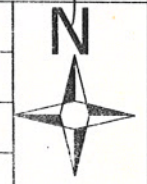
DESIGNED BY: Ar. BHANDARI B.R.

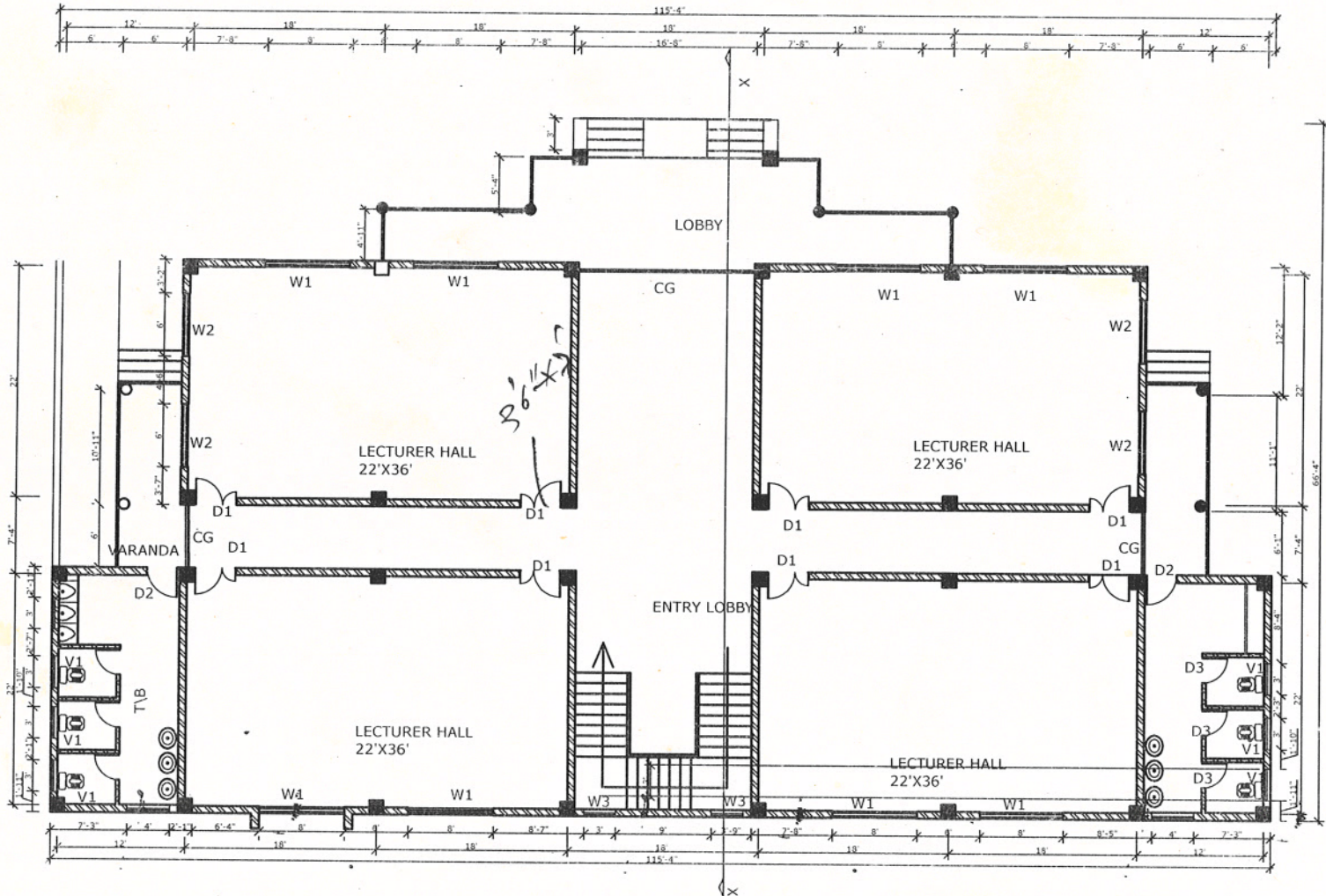
NEC NO: 155 "A"

DATE: 17th JUNE. 2013

SCALE: 1/16"=1' SHEET NO:

MEASUREMENTS ARE TO BE READ ONLY





GROUND FLOOR PLAN

OWNER: JANAPRAKASH MULTIPLE CAMPUS
LEKHNATH-7 BHANDARDIK, KASKI

OWNER'S SIGNATURE:

NOTES & REMARKS

PROPERTY IDENTIFICATION TABLE	
1. KITTA NO:	
2. LAND AREA:	
3. TOTAL PLINTH AREA:	6000 sq.ft.
4. GROUND FLOOR AREA:	6000 sq.ft.
4. FIRST FLOOR AREA:	6000 sq.ft.
4. SECOND FLOOR AREA:	6000 sq.ft.
5. FLOOR AREA RATIO (F.A.R.):	
6. TREAD WIDTH AND LENGTH:	12"/4'-6"
7. RISER HEIGHT:	0'-6"

SCHEDULE OF OPENINGS	
<p>FD NEPAL P. LTD.</p>	

FD NEPAL P.LTD.
LEKHNATH-4, KASKI

SHEET TITLE: GROUND FLOOR PLAN

CAD BY: B. BHANDARI

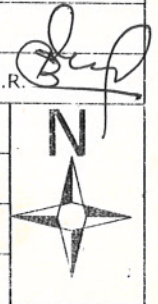
DESIGNED BY: Ar. BHANDARI B.R.

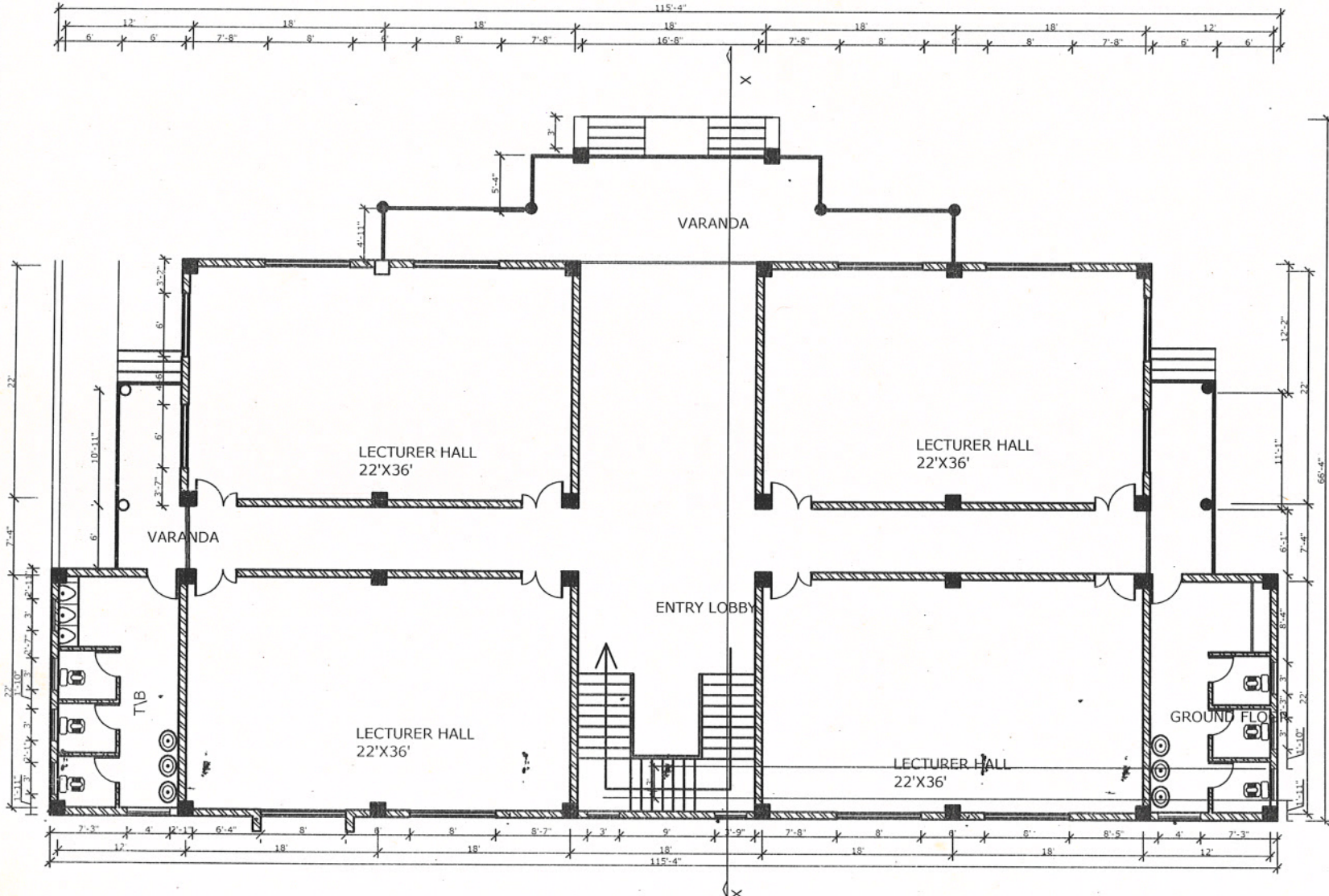
NEC NO: 155 "A"

DATE: 17th JUNE. 2013

SCALE: 1/16" = 1' SHEET NO:

MEASUREMENTS ARE TO BE READ ONLY





FRIST FLOOR PLAN

OWNER: JANAPRAKASH MULTIPLE CAMPUS
LEKHNATH-7 BHANDARDIK, KASKI

OWNER'S SIGNATURE:

NOTES & REMARKS

PROPERTY IDENTIFICATION TABLE

1. KITTA NO:
2. LAND AREA:
3. TOTAL PLINTH AREA: 6000 sq.ft.
4. GROUND FLOOR AREA: 6000 sq.ft.
4. FIRST FLOOR AREA: 6000 sq.ft.
4. SECOND FLOOR AREA: 6000 sq.ft.
5. FLOOR AREA RATIO (F.A.R.):
6. TREAD WIDTH AND LENGTH: 12"/4'-6"
7. RISER HEIGHT: 0'-6"

SCHEDULE OF OPENINGS



FD NEPAL P.LTD.
LEKHNATH-4, KASKI

SHEET TITLE: FIRST FLOOR PLAN

CAD BY: B. BHANDARI

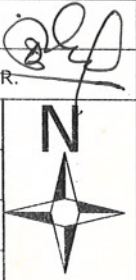
DESIGNED BY: Ar. BHANDARI B.R.

NEC NO: 155 "A"

DATE: 17th JUNE. 2013

SCALE: 1/16" = 1' SHEET NO:

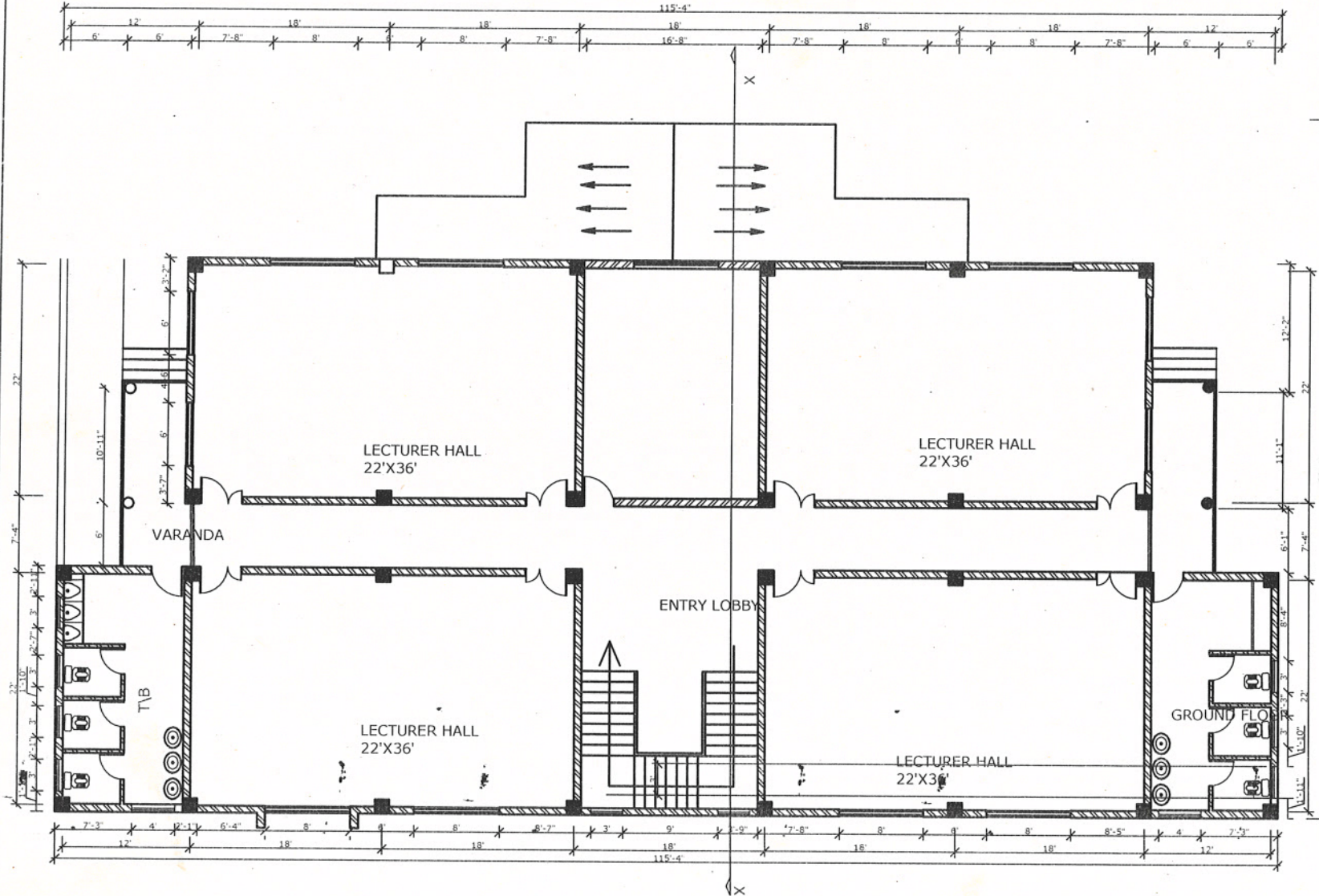
MEASUREMENTS ARE TO BE READ ONLY



OWNER: JANAPRAKASH MULTIPLE CAMPUS
LEKHNATH-7 BHANDARIK, KASKI

OWNER'S SIGNATURE:

NOTES & REMARKS



SECOND FLOOR PLAN



FD NEPAL P.LTD.
LEKHNATH-4, KASKI

SHEET TITLE: SECOND FLOOR PLAN

CAD BY: B. BHANDARI

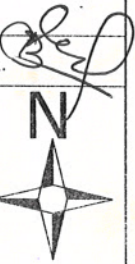
DESIGNED BY: Ar. BHANDARI B.R.

NEC NO: 155 "A"

DATE: 17th JUNE. 2013

SCALE: 1/16" = 1' SHEET NO:

MEASUREMENTS ARE TO BE READ ONLY





WEST ELEVATION

OWNER: JANAPRAKASH MULTIPLE CAMPUS
LEKHNATH-7 BHANDARDIK, KASKI

OWNER'S SIGNATURE:

NOTES & REMARKS



FD NEPAL P.LTD.
LEKHNATH-4, KASKI

SHEET TITLE: ELEVATION

CAD BY: B.BHANDARI

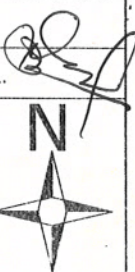
DESIGNED BY: Ar. BHANDARI B.R.

NEC NO: 155 "A"

DATE: 17th JUNE. 2013

SCALE: 1/16"=1' SHEET NO:

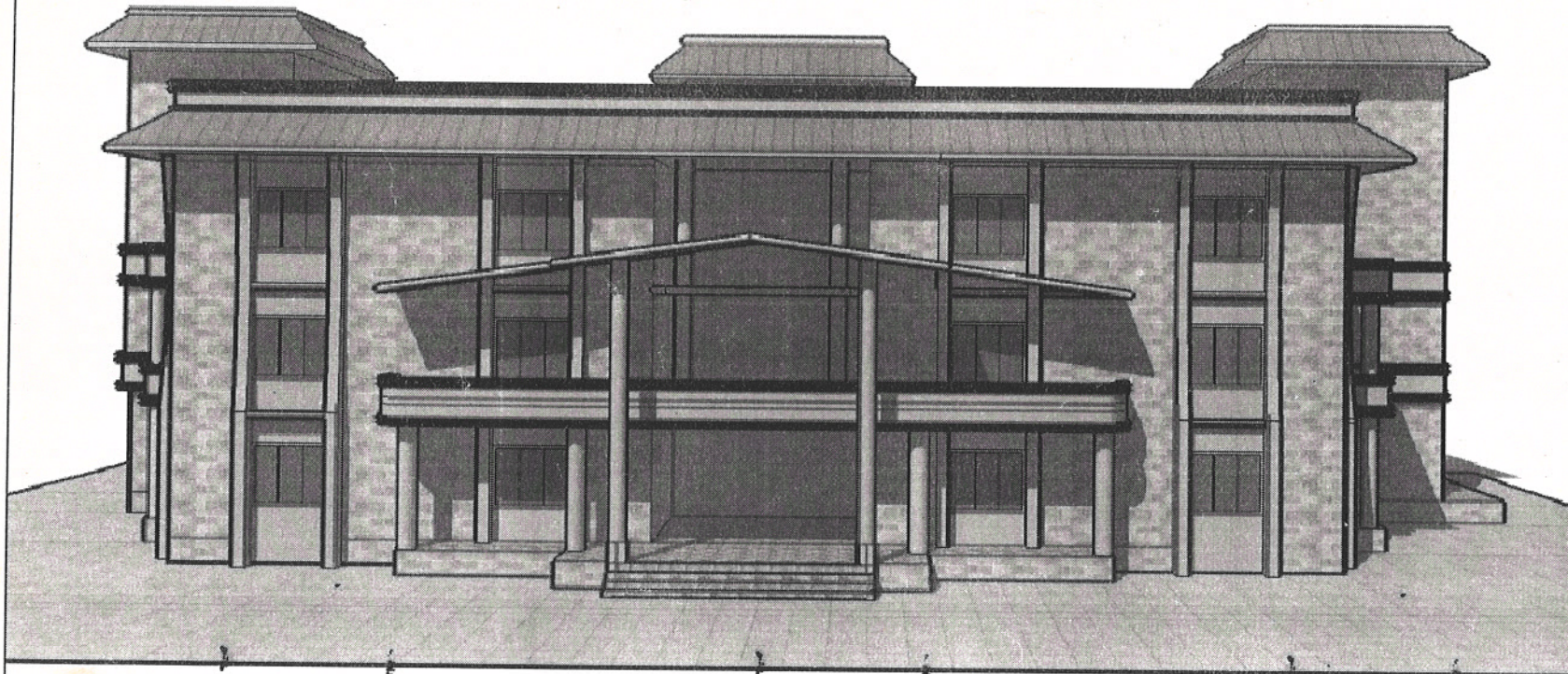
MEASUREMENTS ARE TO BE READ ONLY



OWNER: JANAPRAKASH MULTIPLE CAMPUS
LEKHNATH-7 BHANDARDIK, KASKI

OWNER'S SIGNATURE:

NOTES & REMARKS



FD NEPAL P.LTD. ·
LEKHNATH-4, KASKI

SHEET TITLE: ELEVATION

CAD BY: B.BHANDARI

DESIGNED BY: Ar. BHANDARI B.R.

NEC NO: 155 "A"

DATE: 17th JUNE. 2013

SCALE: 1/16" = 1' SHEET NO:

MEASUREMENTS ARE TO BE READ ONLY

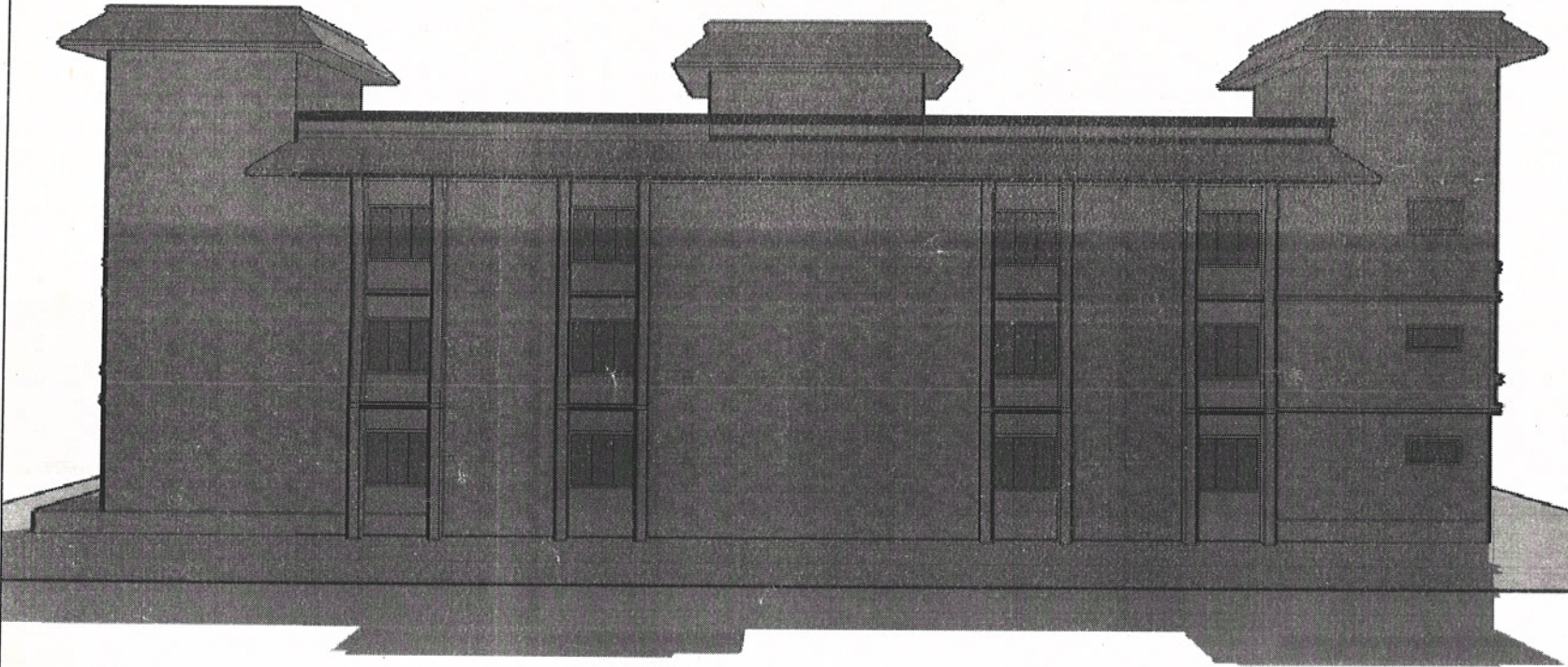
NORTH ELEVATION



OWNER: JANAPRAKASH MULTIPLE CAMPUS
LEKHNATH-7 BHANDARIK, KASKI

OWNER'S SIGNATURE:

NOTES & REMARKS



SOUTH ELEVATION



FD NEPAL P.LTD.
LEKHNATH-4, KASKI

SHEET TITLE: ELEVATION

CAD BY: B.BHANDARI

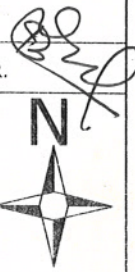
DESIGNED BY: Ar. BHANDARI B.R.

NEC NO: 155 "A"

DATE: 17th JUNE. 2013

SCALE: 1/16"=1' SHEET NO:

MEASUREMENTS ARE TO BE READ ONLY



OWNER: JANAPRAKASH MULTIPLE CAMPUS
LEKHNATH-7 BHANDARIK, KASKI

OWNER'S SIGNATURE:

NOTES & REMARKS



EAST ELEVATION



FD NEPAL P.LTD.
LEKHNATH-4, KASKI

SHEET TITLE: ELEVATION

CAD BY: B.BHANDARI

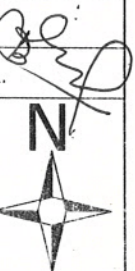
DESIGNED BY: Ar. BHANDARI B.R.

NEC NO: 155 "A"

DATE: 17th JUNE. 2013

SCALE: 1/16"=1' SHEET NO:

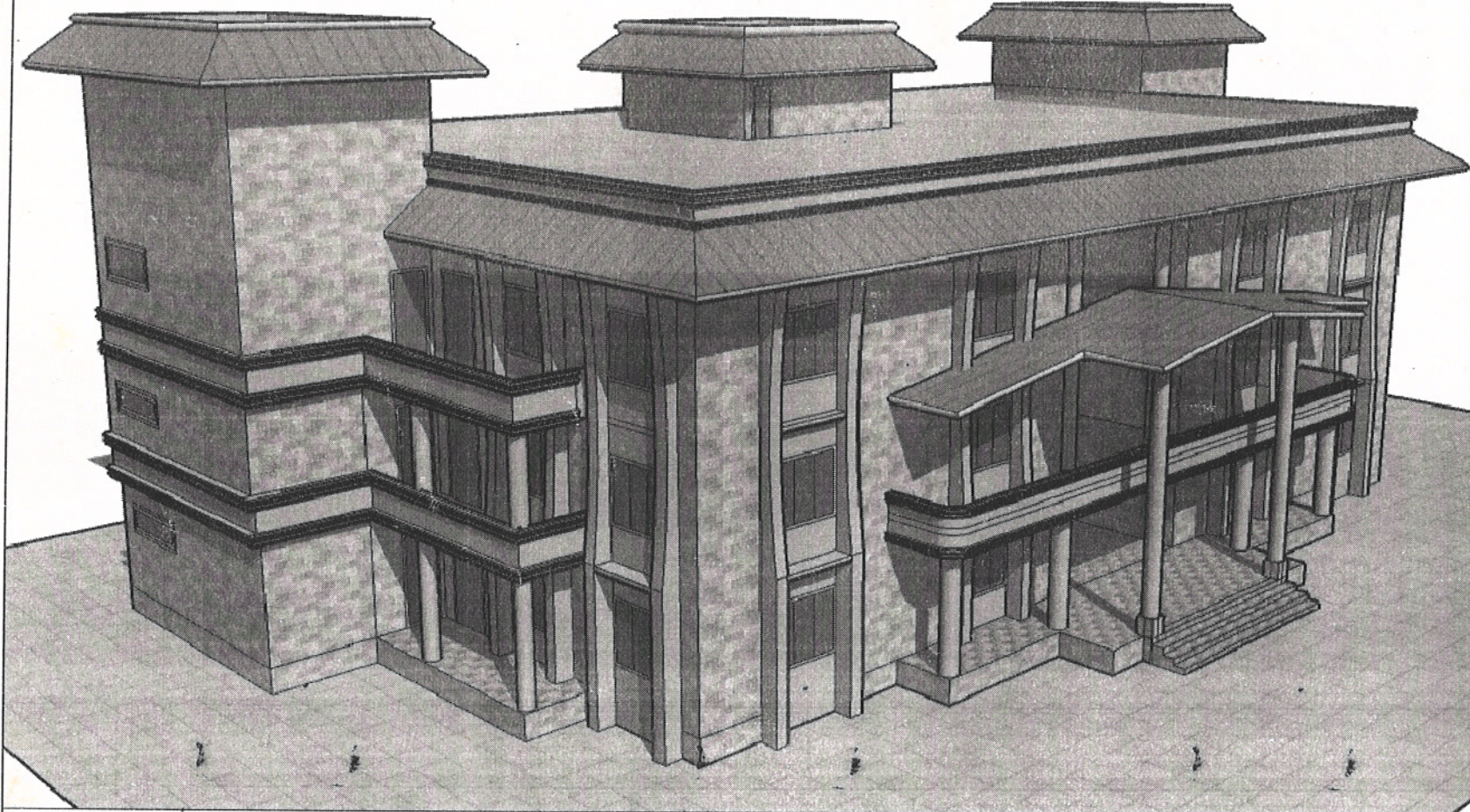
MEASUREMENTS ARE TO BE READ ONLY



OWNER: JANAPRAKASH MULTIPLE CAMPUS
LEKHNATH-7 BHANDARIK, KASKI

OWNER'S SIGNATURE:

NOTES & REMARKS



FD NEPAL P.LTD. -
LEKHNATH-4, KASKI

SHEET TITLE: VIEW OF BLDG.

CAD BY: B.BHANDARI

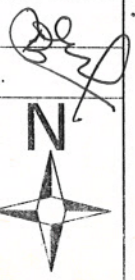
DESIGNED BY: Ar. BHANDARI B.R.

NEC NO: 155 "A"

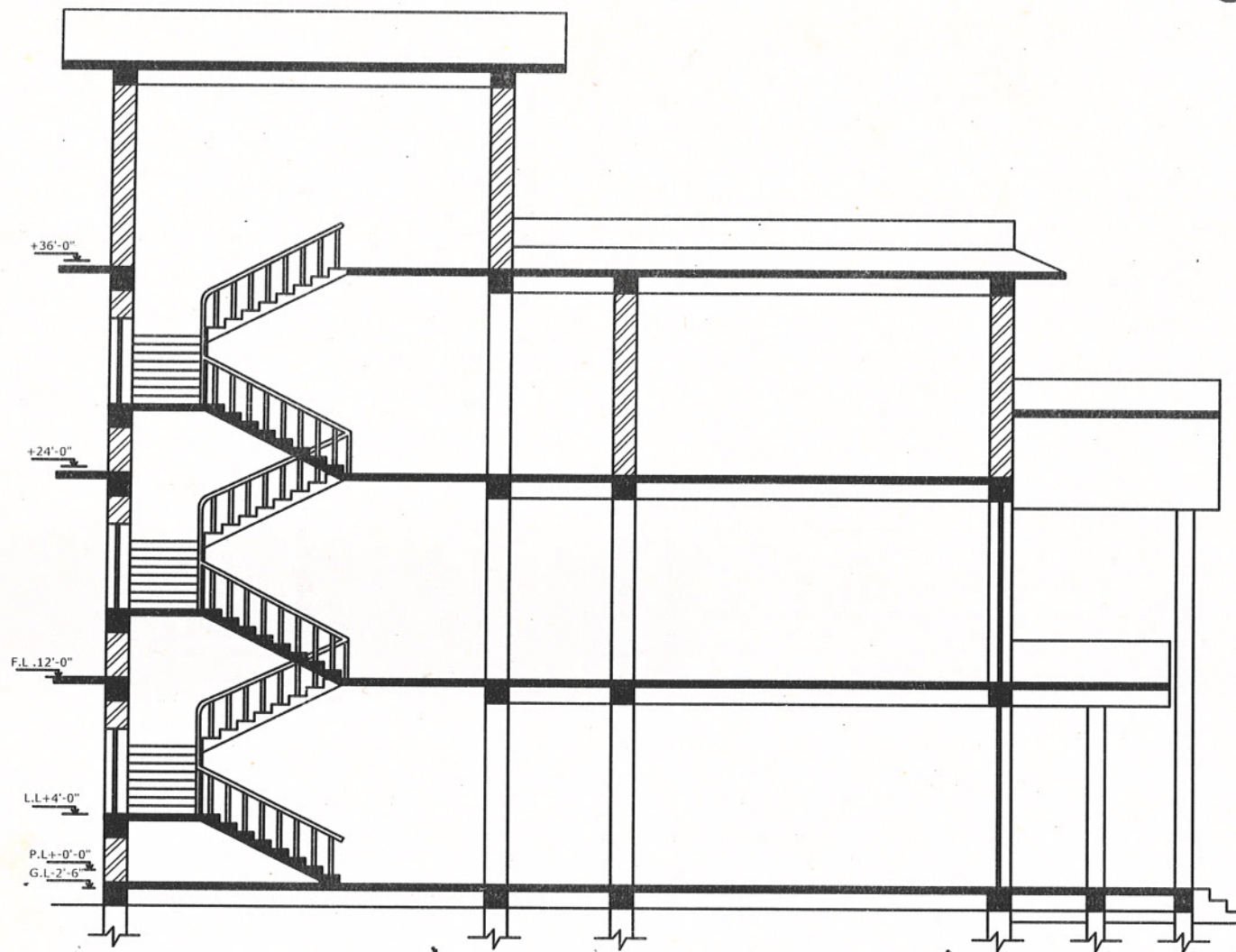
DATE: 17th JUNE. 2013

SCALE: 1/16" = 1' SHEET NO:

MEASUREMENTS ARE TO BE READ ONLY



VIEW OF BUILDING



SECTION AT X-X

OWNER: JANAPRAKASH MULTIPLE CAMPUS
LEKHNATH-7 BHANDARIK, KASKI

OWNER'S SIGNATURE:

NOTES & REMARKS



FD NEPAL P.LTD.
LEKHNATH-4, KASKI

SHEET TITLE: SECTION

CAD BY: B.BHANDARI

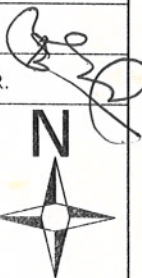
DESIGNED BY: Ar. BHANDARI B.R.

NEC NO: 155 "A"

DATE: 17th JUNE. 2013

SCALE: 1/16"=1' SHEET NO:

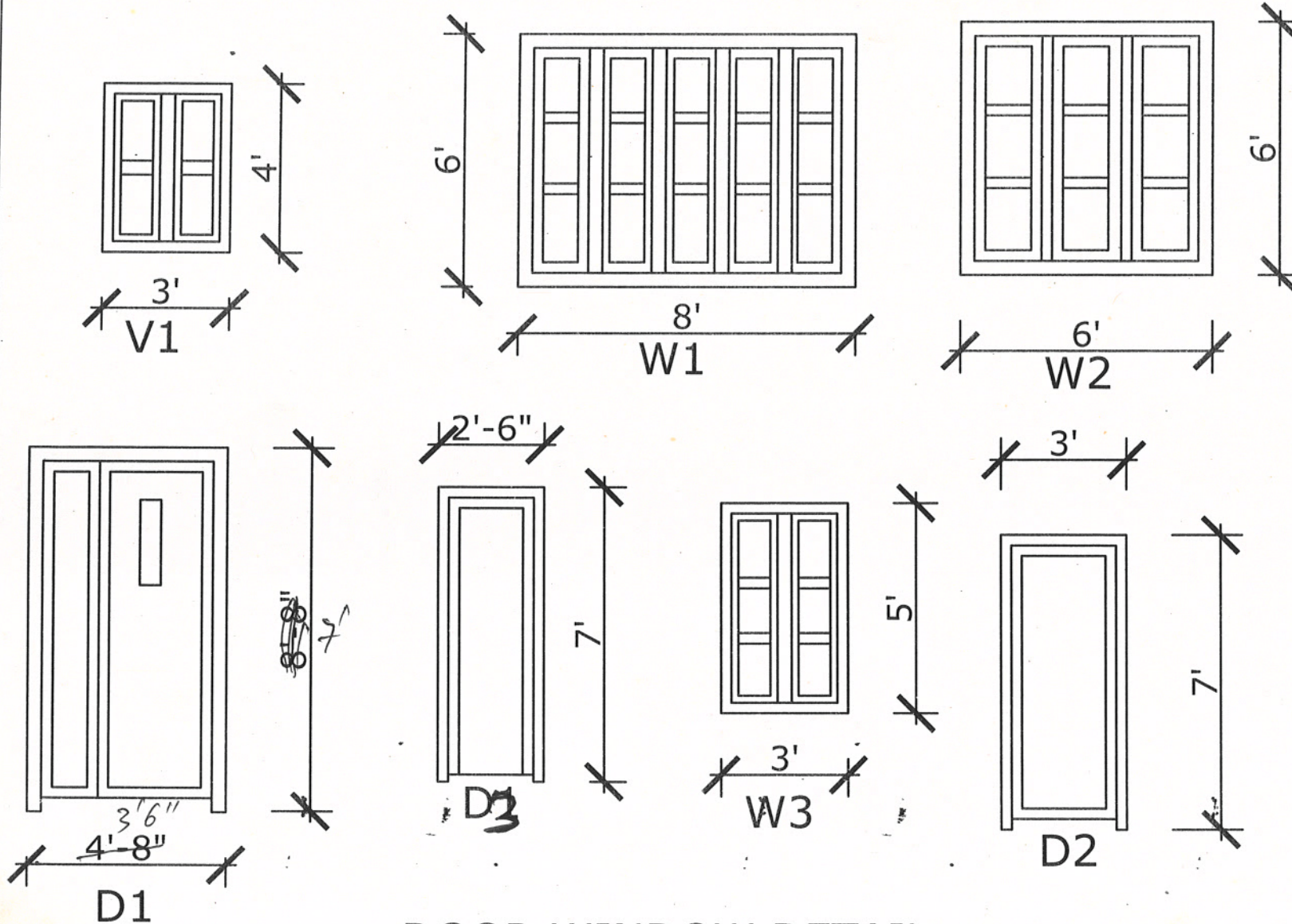
MEASUREMENTS ARE TO BE READ ONLY



OWNER: JANAPRAKASH MULTIPLE CAMPUS
LEKHNATH-7 BHANDARIK, KASKI

OWNER'S SIGNATURE:

NOTES & REMARKS



DOOR WINDOW DETAIL



FD NEPAL P.LTD.
LEKHNATH-4, KASKI

SHEET TITLE: DOOR/WINDOW

CAD BY: B.BHANDARI

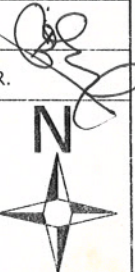
DESIGNED BY: Ar. BHANDARI B.R.

NEC NO: 155 "A"

DATE: 17th JUNE. 2013

SCALE: 1/16"=1' SHEET NO:

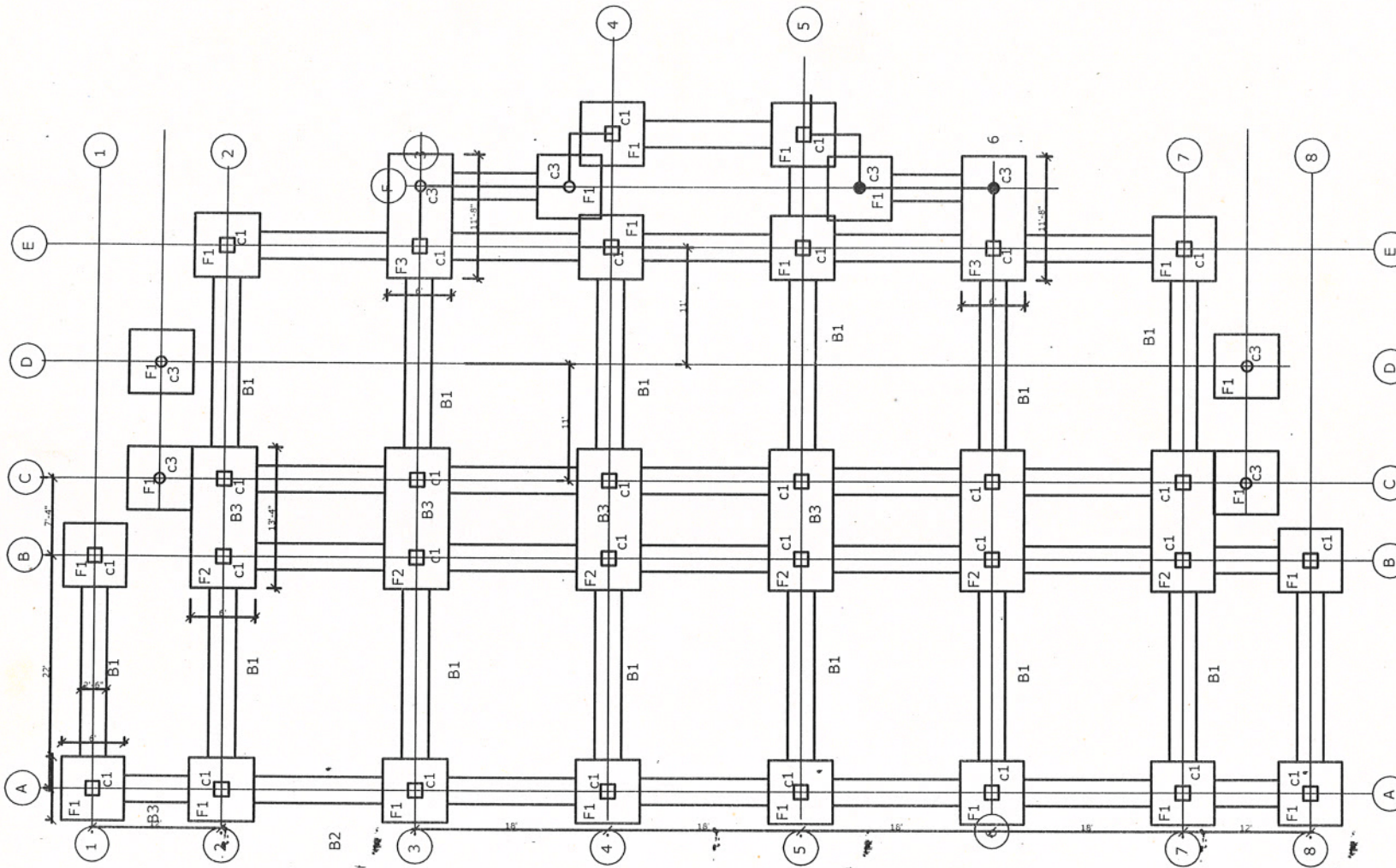
MEASUREMENTS ARE TO BE READ ONLY



OWNER: JANAPRAKASH MULTIPLE CAMPUS
LEKHNATH-7 BHANDARIK, KASKI

OWNER'S SIGNATURE:

NOTES & REMARKS



TRENCH PLAN



FD NEPAL P.LTD.
LEKHNATH-4, KASKI

SHEET TITLE: TRENCH PLAN

CAD BY: B.BHANDARI

DESIGNED BY: Ar. BHANDARI B.R.

NEC NO: 155 "A"

DATE: 17th JUNE. 2013

SCALE: 1/16"=1' SHEET NO:

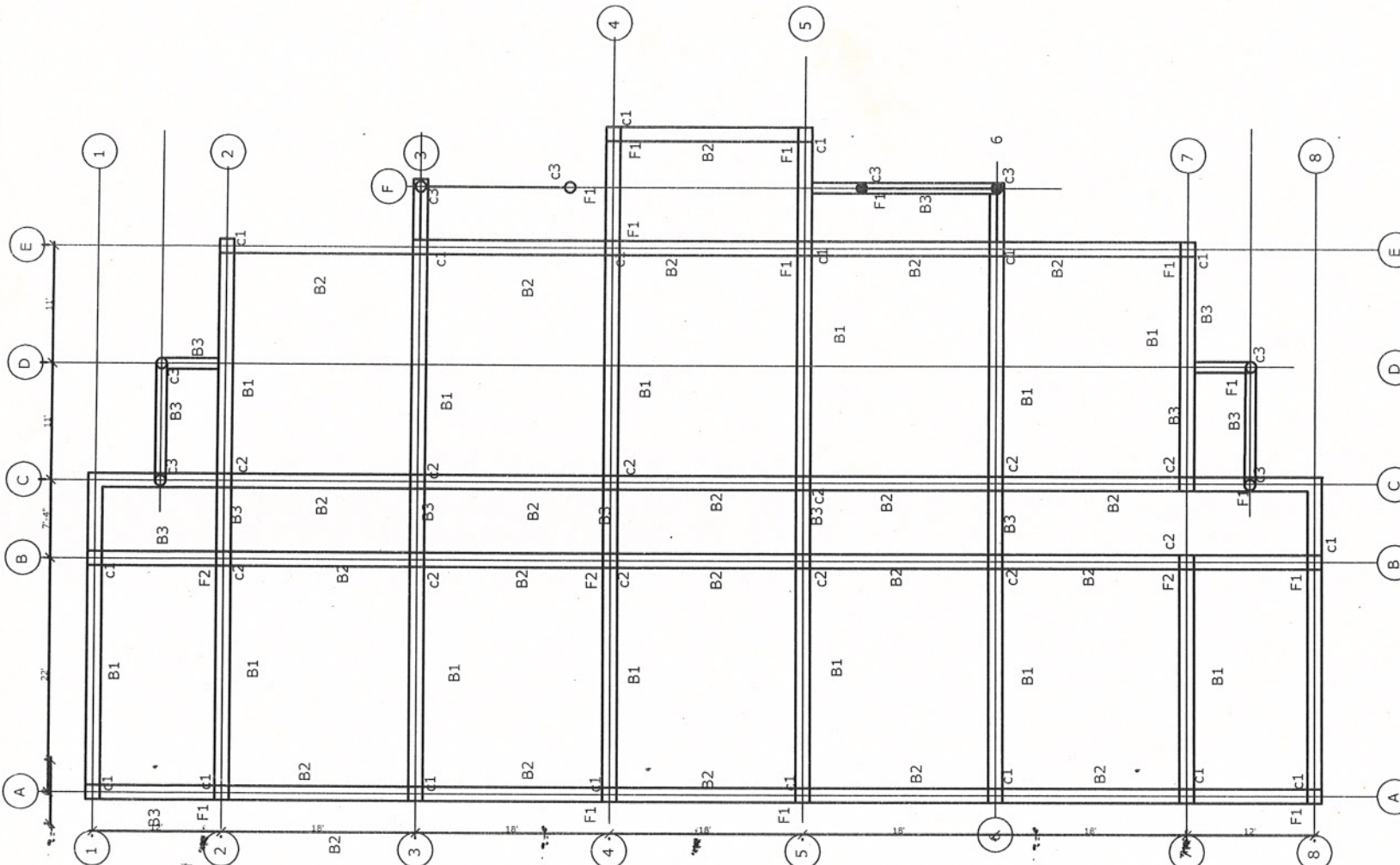
MEASUREMENTS ARE TO BE READ ONLY



OWNER: JANAPRAKASH MULTIPLE CAMPUS
LEKHNATH-7 BHANDARDIK, KASKI

OWNER'S SIGNATURE:

NOTES & REMARKS



BEAM LAYOUT PLAN



FD NEPAL-P.LTD.
LEKHNATH-4, KASKI

SHEET TITLE: BEAM PLAN

CAD BY: B.BHANDARI

DESIGNED BY: Ar. BHANDARI B.R.

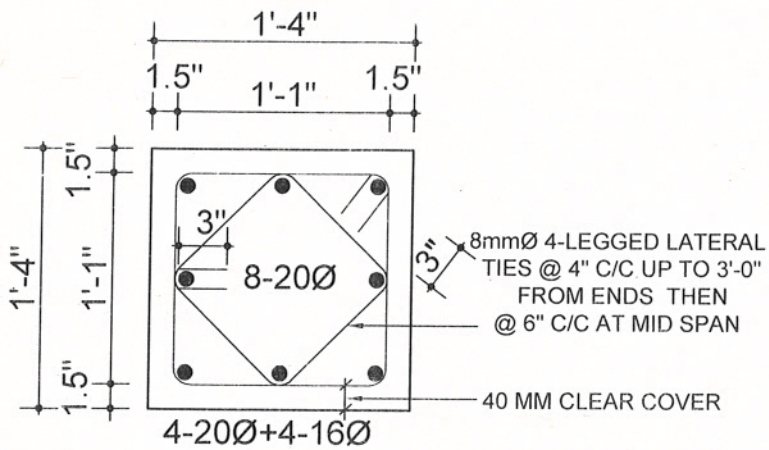
NEC NO: 155 "A"

DATE: 17th JUNE. 2013

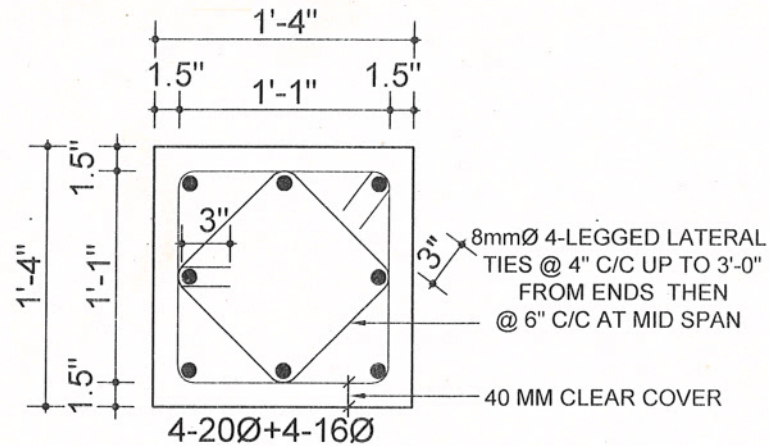
SCALE: 1/16"=1" SHEET NO:

MEASUREMENTS ARE TO BE READ ONLY

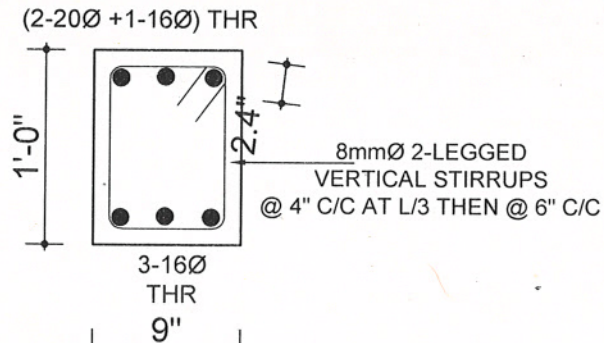




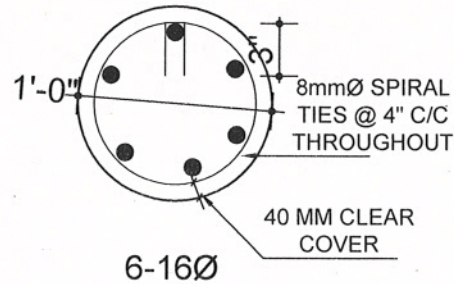
COLUMN (C2)
 (UP TO 3ND FLOOR)



COLUMN (C1)
 (UP TO 3ND FLOOR)



TRENCH AND TIE BEAM (TB1)
 AT SUPPORT & MID SPAN



COLUMN (C3)
 (FOR GROUND AND FIRST FLOOR)

OWNER: JANAPRAKASH MULTIPLE CAMPUS
 LEKHNATH-7 BHANDARIK, KASKI

OWNER'S SIGNATURE:

NOTES & REMARKS



FD NEPAL P.LTD.
 LEKHNATH-4, KASKI

SHEET TITLE: BEAM/COLUMN

CAD BY: B.BHANDARI

DESIGNED BY: Ar. BHANDARI B.R.

NEC NO: 155 "A"

DATE: 17th JUNE. 2013

SCALE: 1/16" = 1' SHEET NO:

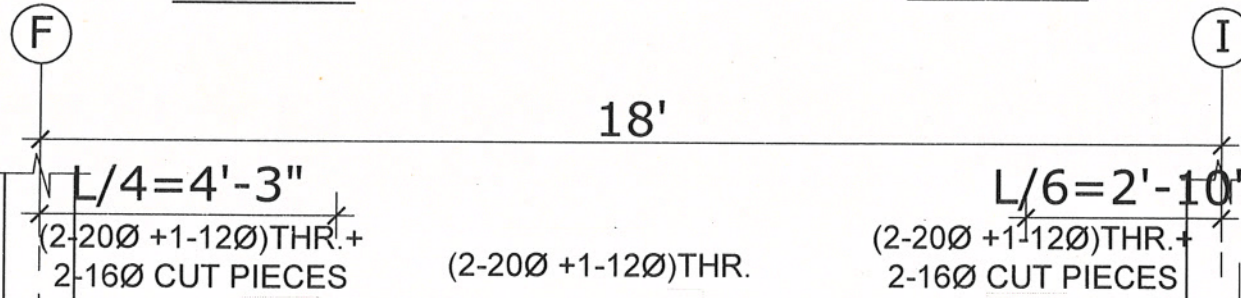
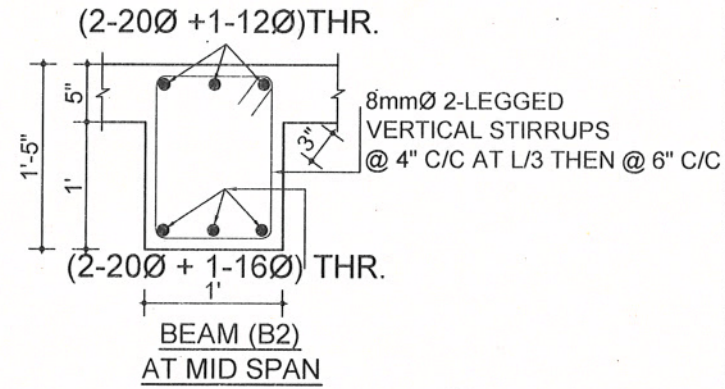
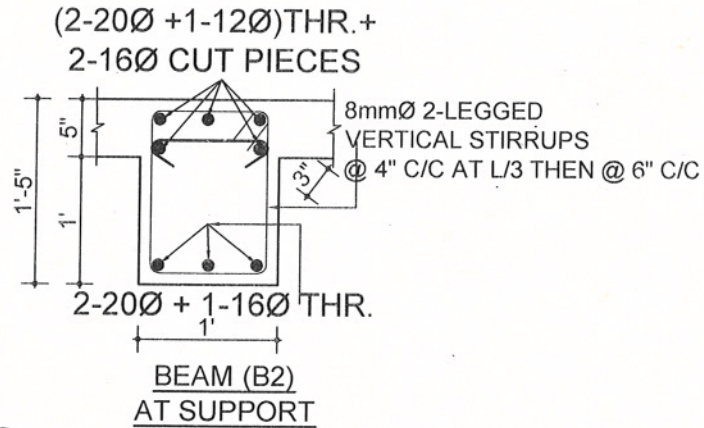
MEASUREMENTS ARE TO BE READ ONLY



OWNER: JANAPRAKASH MULTIPLE CAMPUS
LEKHNATH-7 BHANDARIK, KASKI

OWNER'S SIGNATURE:

NOTES & REMARKS



8mmØ 2-LEGGED VERTICAL
STIRRUPS @ 4" C/C AT L/3

8mmØ 2-LEGGED VERTICAL
STIRRUPS @ 4" C/C AT L/3

LD=60Ø

2-20Ø + 1-16Ø THR.

(2-20Ø + 1-16Ø) THR.

2-20Ø + 1-16Ø THR.

8mmØ 2-LEGGED VERTICAL
STIRRUPS @ 6" C/C AT MID

LONGITUDINAL SECTION OF BEAMS B2



FD NEPAL P.LTD.
LEKHNATH-4, KASKI

SHEET TITLE: BEAM SECTION

CAD BY: B.BHANDARI

DESIGNED BY: Ar. BHANDARI B.R.

NEC NO: 155 "A"

DATE: 17th JUNE. 2013

SCALE: 1/16" = 1' SHEET NO:

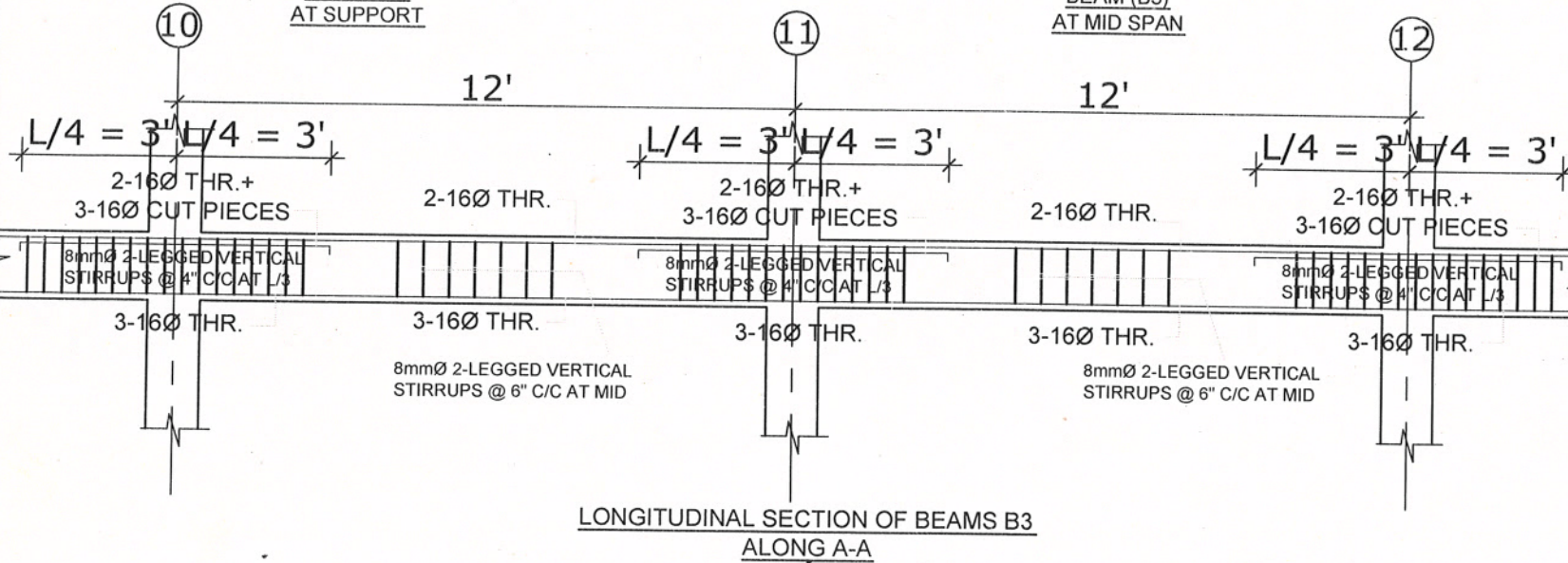
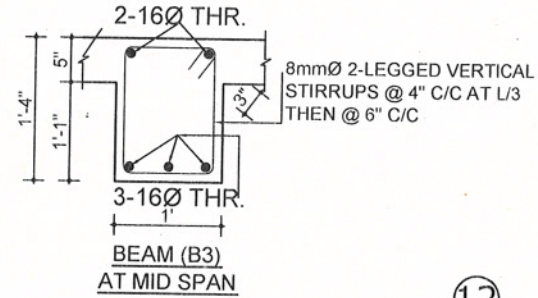
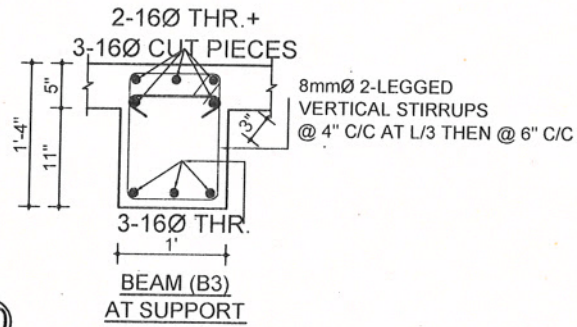
MEASUREMENTS ARE TO BE READ ONLY



OWNER: JANAPRAKASH MULTIPLE CAMPUS
LEKHNATH-7 BHANDARIK, KASKI

OWNER'S SIGNATURE:

NOTES & REMARKS



FD NEPAL P.LTD.
LEKHNATH-4, KASKI

SHEET TITLE: BEAM SECTION

CAD BY: B.BHANDARI

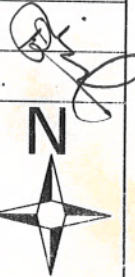
DESIGNED BY: Ar. BHANDARI B.R.

NEC NO: 155 "A"

DATE: 17th JUNE. 2013

SCALE: 1/16"=1' SHEET NO:

MEASUREMENTS ARE TO BE READ CAREFULLY



OWNER: JANAPRAKASH MULTIPLE CAMPUS
LEKHNATH-7 BHANDARIK, KASKI

OWNER'S SIGNATURE:

NOTES & REMARKS



FD-NEPAL P.LTD.
LEKHNATH-4, KASKI

SHEET TITLE: BEAM SECTION

CAD BY: B.BHANDARI

DESIGNED BY: Ar. BHANDARI B.R.

NEC NO: 155 "A"

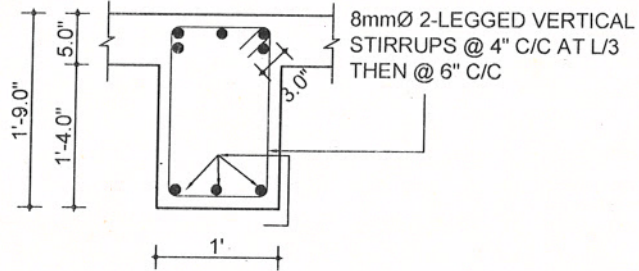
DATE: 17th JUNE. 2013

SCALE: 1/16"=1' SHEET NO:

MEASUREMENTS ARE TO BE READ ONLY



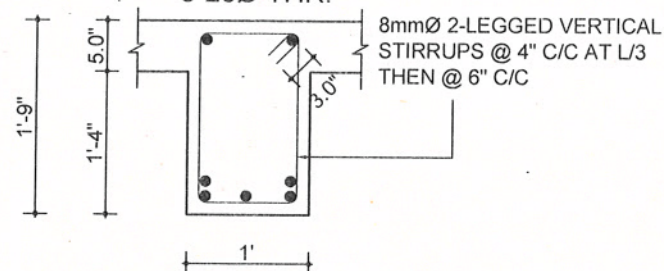
3-20Ø THR.+
2-20Ø CUT PIECES



2-20Ø + 1-20Ø THR.

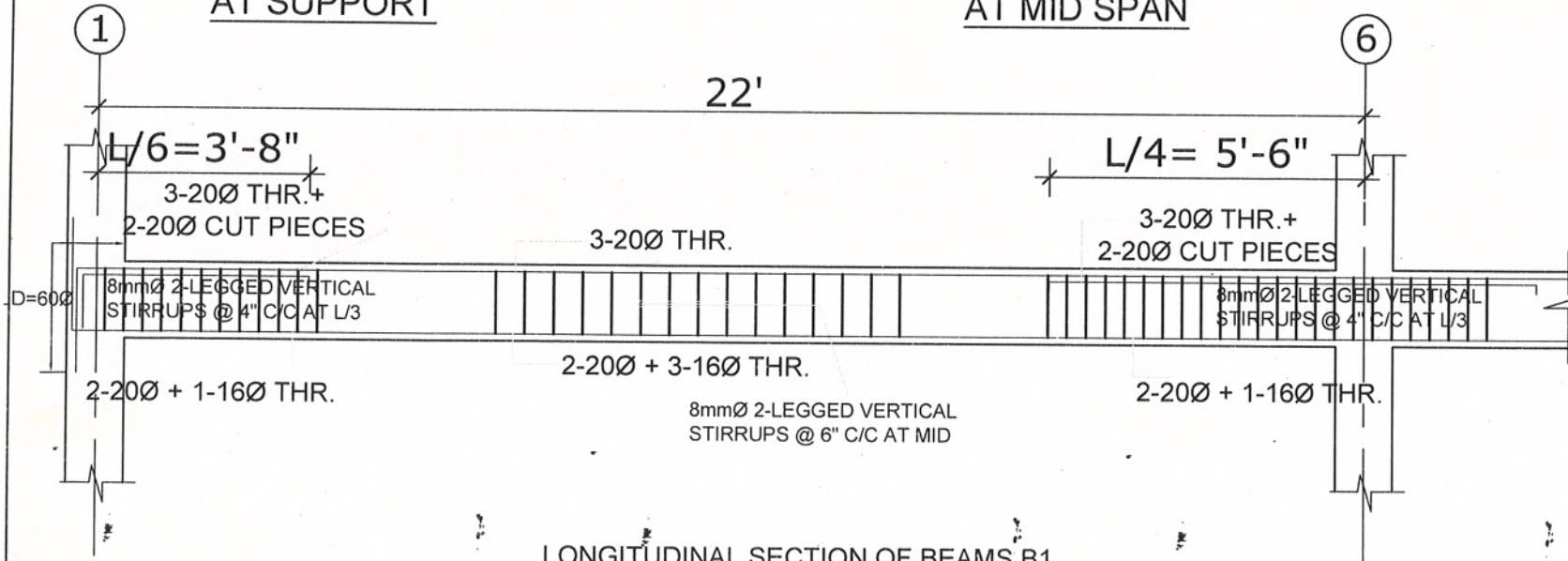
BEAM (B1)
AT SUPPORT

3-20Ø THR.

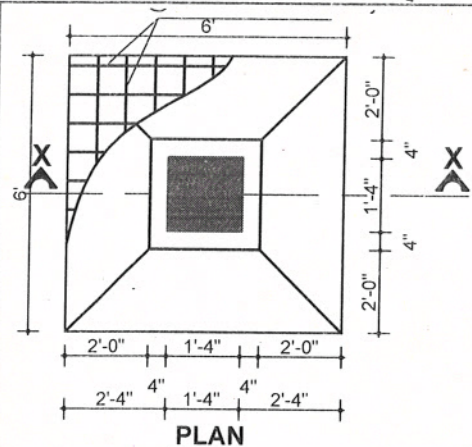


2-20Ø + 3-16Ø THR.

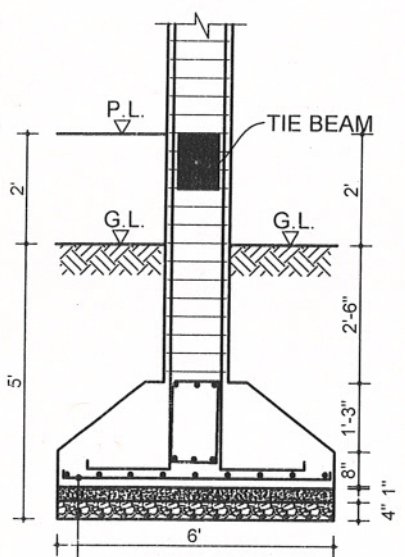
BEAM (B1)
AT MID SPAN



LONGITUDINAL SECTION OF BEAMS B1
ALONG 1-1



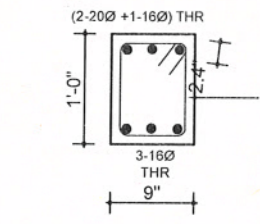
PLAN



SECTION AT X-X

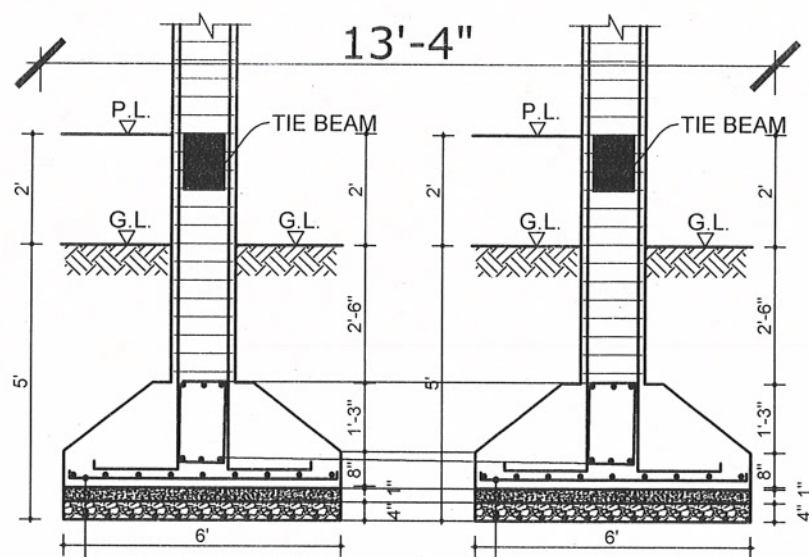
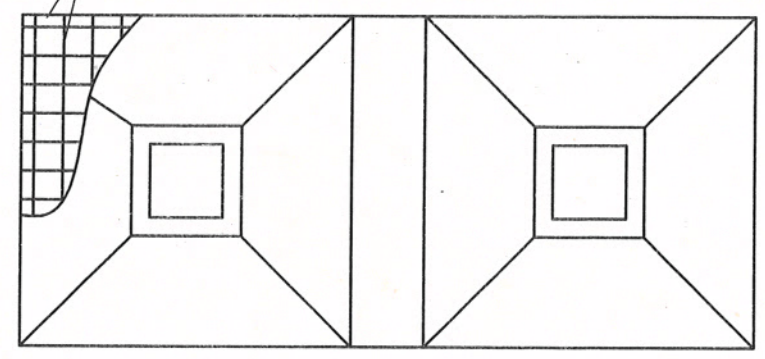
ISOLATED FOOTING (F1)

12mm Ø @ 160mm c/c Bothways
P.C.C. in 1:3:6
Stone Soling with Sand compaction



**TIE BEAM (TB1)
AT SUPPORT & MID SPAN**

12mm Ø @ 160mm c/c Bothway



**COMBINED FOOTING
(F2)**

12mm Ø @ 160mm c/c Bothways
P.C.C. in 1:3:6
Stone Soling with Sand compaction

12mm Ø @ 160mm c/c Bothways
P.C.C. in 1:3:6
Stone Soling with Sand compaction

OWNER: JANAPRAKASH MULTIPLE CAMPUS
LEKHNATH-7 BHANDARIK, KASKI

OWNER'S SIGNATURE:

NOTES & REMARKS



**FD NEPAL P.LTD.
LEKHNATH-4, KASKI**

SHEET TITLE: FOOTING DETAIL

CAD BY: B.BHANDARI

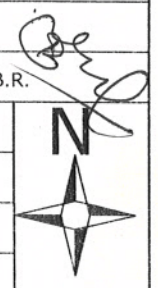
DESIGNED BY: Ar. BHANDARI B.R.

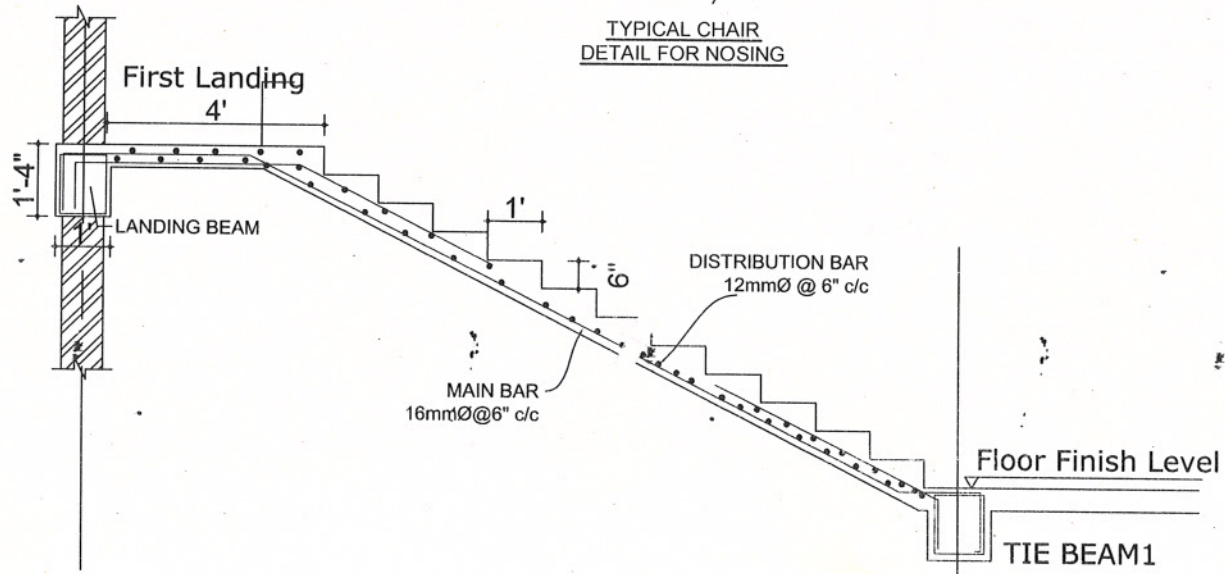
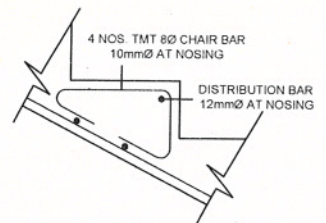
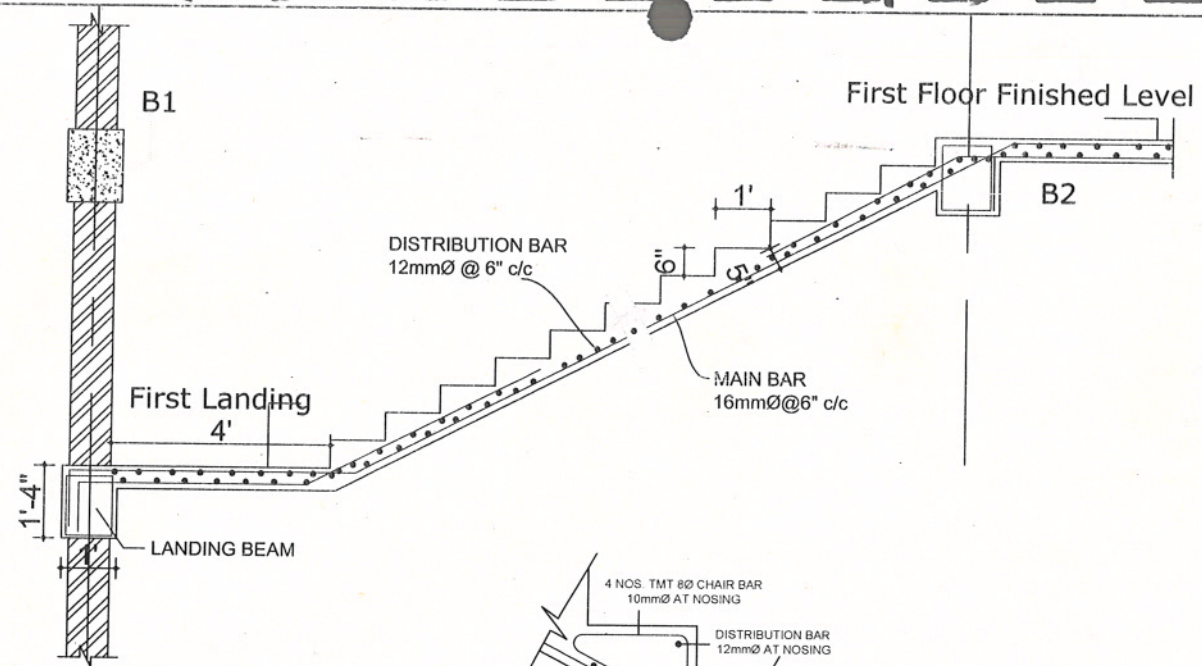
NEC NO: 155 "A"

DATE: 17th JUNE. 2013

SCALE: 1/16" = 1' SHEFT NO:

MEASUREMENTS ARE TO BE READ ONLY





STAIRCASE DETAILS

OWNER: JANAPRAKASH MULTIPLE CAMPUS
LEKHNATH-7 BHANDARIK, KASKI

OWNER'S SIGNATURE:

NOTES & REMARKS



FD NEPAL P.LTD.
LEKHNATH-4, KASKI

SHEET TITLE: STAIRCASE DETAIL

CAD BY: B. BHANDARI

DESIGNED BY: Ar. BHANDARI B.R.

NEC NO: 155 "A"

DATE: 17th JUNE. 2013

SCALE: 1/16" = 1' SHEET NO:

MEASUREMENTS ARE TO BE READ ONLY

